

# KERNBOHRER SERIE HSS-CO 8



Die Bohrer dieser Serie zeichnen sich durch hohe Hitzebeständigkeit und Verschleißschutz aus. Sie sind in Kombination mit drehzahlgesteuerten BDS-Magnet-Kernbohrmaschinen zur Bearbeitung von Feinkornstählen und rostfreiem Material geeignet. BDS empfiehlt für die Bearbeitung von Edelstahl das Schneidöl BDS 5000.



Videos & Dokumente

## HSS-Co 8 Kernbohrer kurz

- > 30 mm Schnitttiefe
- > 19 mm Weldonenschaft (3/4")



## HSS-Co 8 Kernbohrer kurz

- > 30 mm Schnitttiefe
- > 32 mm Weldonenschaft (1 1/4")



### SERIE HSS-Co 8

| Ø mm | BEST. NR.  | Ø mm | BEST. NR.  |
|------|------------|------|------------|
| 12   | KBK-CO 012 | 36   | KBK-CO 036 |
| 13   | KBK-CO 013 | 37   | KBK-CO 037 |
| 14   | KBK-CO 014 | 38   | KBK-CO 038 |
| 15   | KBK-CO 015 | 39   | KBK-CO 039 |
| 16   | KBK-CO 016 | 40   | KBK-CO 040 |
| 17   | KBK-CO 017 | 41   | KBK-CO 041 |
| 17,5 | KBK-CO 175 | 42   | KBK-CO 042 |
| 18   | KBK-CO 018 | 43   | KBK-CO 043 |
| 19   | KBK-CO 019 | 44   | KBK-CO 044 |
| 19,5 | KBK-CO 195 | 45   | KBK-CO 045 |
| 20   | KBK-CO 020 | 46   | KBK-CO 046 |
| 21   | KBK-CO 021 | 47   | KBK-CO 047 |
| 22   | KBK-CO 022 | 48   | KBK-CO 048 |
| 23   | KBK-CO 023 | 49   | KBK-CO 049 |
| 24   | KBK-CO 024 | 50   | KBK-CO 050 |
| 25   | KBK-CO 025 | 51   | KBK-CO 051 |
| 26   | KBK-CO 026 | 52   | KBK-CO 052 |
| 27   | KBK-CO 027 | 53   | KBK-CO 053 |
| 28   | KBK-CO 028 | 54   | KBK-CO 054 |
| 29   | KBK-CO 029 | 55   | KBK-CO 055 |
| 30   | KBK-CO 030 | 56   | KBK-CO 056 |
| 31   | KBK-CO 031 | 57   | KBK-CO 057 |
| 32   | KBK-CO 032 | 58   | KBK-CO 058 |
| 33   | KBK-CO 033 | 59   | KBK-CO 059 |
| 34   | KBK-CO 034 | 60   | KBK-CO 060 |
| 35   | KBK-CO 035 |      |            |

### SERIE HSS-Co 8

| Ø mm | BEST. NR.  | Ø mm | BEST. NR.  |
|------|------------|------|------------|
| 61   | KBK-CO 061 | 84   | KBK-CO 084 |
| 62   | KBK-CO 062 | 85   | KBK-CO 085 |
| 63   | KBK-CO 063 | 86   | KBK-CO 086 |
| 64   | KBK-CO 064 | 87   | KBK-CO 087 |
| 65   | KBK-CO 065 | 88   | KBK-CO 088 |
| 66   | KBK-CO 066 | 89   | KBK-CO 089 |
| 67   | KBK-CO 067 | 90   | KBK-CO 090 |
| 68   | KBK-CO 068 | 91   | KBK-CO 091 |
| 69   | KBK-CO 069 | 92   | KBK-CO 092 |
| 70   | KBK-CO 070 | 93   | KBK-CO 093 |
| 71   | KBK-CO 071 | 94   | KBK-CO 094 |
| 72   | KBK-CO 072 | 95   | KBK-CO 095 |
| 73   | KBK-CO 073 | 96   | KBK-CO 096 |
| 74   | KBK-CO 074 | 97   | KBK-CO 097 |
| 75   | KBK-CO 075 | 98   | KBK-CO 098 |
| 76   | KBK-CO 076 | 99   | KBK-CO 099 |
| 77   | KBK-CO 077 | 100  | KBK-CO 100 |
| 78   | KBK-CO 078 | 105  | KBK-CO 105 |
| 79   | KBK-CO 079 | 110  | KBK-CO 110 |
| 80   | KBK-CO 080 | 115  | KBK-CO 115 |
| 81   | KBK-CO 081 | 120  | KBK-CO 120 |
| 82   | KBK-CO 082 | 125  | KBK-CO 125 |
| 83   | KBK-CO 083 | 130  | KBK-CO 130 |

### AUSWERFERSTIFT FÜR KBK-CO, Ø 12 – 60 mm

BEST. NR.

ZAK 075

### AUSWERFERSTIFT FÜR KBK-CO, Ø 61 – 130 mm

BEST. NR.

ZAK 090



# Kernbohrer Serie HSS-Co 8

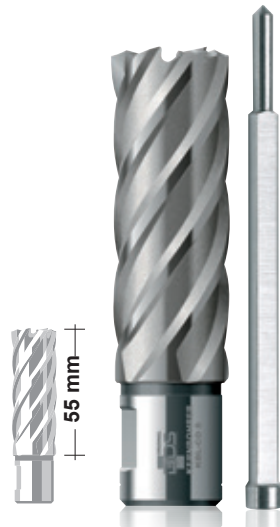
Vollschliffkernbohrer  
aus Hochleistungsschnellstahl.



Videos & Dokumente

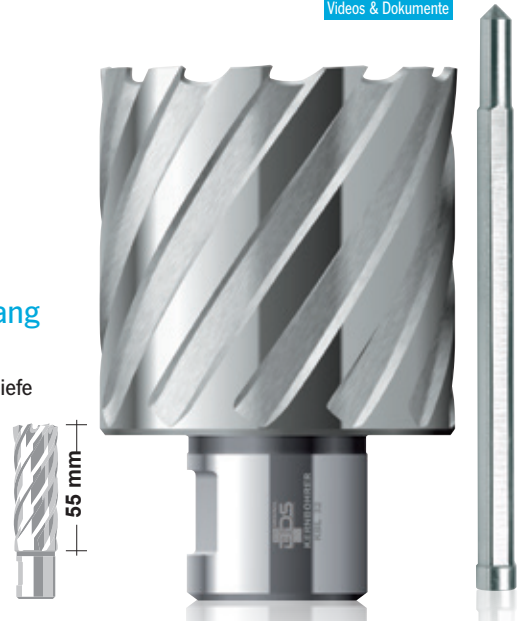
## HSS-Co 8 Kernbohrer lang

- > 55 mm Schnitttiefe
- > 19 mm Weldonschaft (3/4")



## HSS-Co 8 Kernbohrer lang

- > 55 mm Schnitttiefe
- > 32 mm  
Weldonschaft  
(1 1/4")



| SERIE HSS-Co 8 |            |      |            |
|----------------|------------|------|------------|
| Ø mm           | BEST. NR.  | Ø mm | BEST. NR.  |
| 12             | KBL-CO 012 | 36   | KBL-CO 036 |
| 13             | KBL-CO 013 | 37   | KBL-CO 037 |
| 14             | KBL-CO 014 | 38   | KBL-CO 038 |
| 15             | KBL-CO 015 | 39   | KBL-CO 039 |
| 16             | KBL-CO 016 | 40   | KBL-CO 040 |
| 17             | KBL-CO 017 | 41   | KBL-CO 041 |
| 17,5           | KBL-CO 175 | 42   | KBL-CO 042 |
| 18             | KBL-CO 018 | 43   | KBL-CO 043 |
| 19             | KBL-CO 019 | 44   | KBL-CO 044 |
| 19,5           | KBL-CO 195 | 45   | KBL-CO 045 |
| 20             | KBL-CO 020 | 46   | KBL-CO 046 |
| 21             | KBL-CO 021 | 47   | KBL-CO 047 |
| 22             | KBL-CO 022 | 48   | KBL-CO 048 |
| 23             | KBL-CO 023 | 49   | KBL-CO 049 |
| 24             | KBL-CO 024 | 50   | KBL-CO 050 |
| 25             | KBL-CO 025 | 51   | KBL-CO 051 |
| 26             | KBL-CO 026 | 52   | KBL-CO 052 |
| 27             | KBL-CO 027 | 53   | KBL-CO 053 |
| 28             | KBL-CO 028 | 54   | KBL-CO 054 |
| 29             | KBL-CO 029 | 55   | KBL-CO 055 |
| 30             | KBL-CO 030 | 56   | KBL-CO 056 |
| 31             | KBL-CO 031 | 57   | KBL-CO 057 |
| 32             | KBL-CO 032 | 58   | KBL-CO 058 |
| 33             | KBL-CO 033 | 59   | KBL-CO 059 |
| 34             | KBL-CO 034 | 60   | KBL-CO 060 |
| 35             | KBL-CO 035 |      |            |

| SERIE HSS-Co 8 |            |      |            |
|----------------|------------|------|------------|
| Ø mm           | BEST. NR.  | Ø mm | BEST. NR.  |
| 61             | KBL-CO 061 | 81   | KBL-CO 081 |
| 62             | KBL-CO 062 | 82   | KBL-CO 082 |
| 63             | KBL-CO 063 | 83   | KBL-CO 083 |
| 64             | KBL-CO 064 | 84   | KBL-CO 084 |
| 65             | KBL-CO 065 | 85   | KBL-CO 085 |
| 66             | KBL-CO 066 | 86   | KBL-CO 086 |
| 67             | KBL-CO 067 | 87   | KBL-CO 087 |
| 68             | KBL-CO 068 | 88   | KBL-CO 088 |
| 69             | KBL-CO 069 | 89   | KBL-CO 089 |
| 70             | KBL-CO 070 | 90   | KBL-CO 090 |
| 71             | KBL-CO 071 | 91   | KBL-CO 091 |
| 72             | KBL-CO 072 | 92   | KBL-CO 092 |
| 73             | KBL-CO 073 | 93   | KBL-CO 093 |
| 74             | KBL-CO 074 | 94   | KBL-CO 094 |
| 75             | KBL-CO 075 | 95   | KBL-CO 095 |
| 76             | KBL-CO 076 | 96   | KBL-CO 096 |
| 77             | KBL-CO 077 | 97   | KBL-CO 097 |
| 78             | KBL-CO 078 | 98   | KBL-CO 098 |
| 79             | KBL-CO 079 | 99   | KBL-CO 099 |
| 80             | KBL-CO 080 | 100  | KBL-CO 100 |

| AUSWERFERSTIFT FÜR KBL-CO, Ø 12 – 60 mm |  |
|---|--|
| BEST. NR.                               |  |
| ZAK 100                                 |  |

| AUSWERFERSTIFT FÜR KBL-CO, Ø 61 - 100 mm |  |
|--|--|
| BEST. NR.                                |  |
| ZAK 120                                  |  |